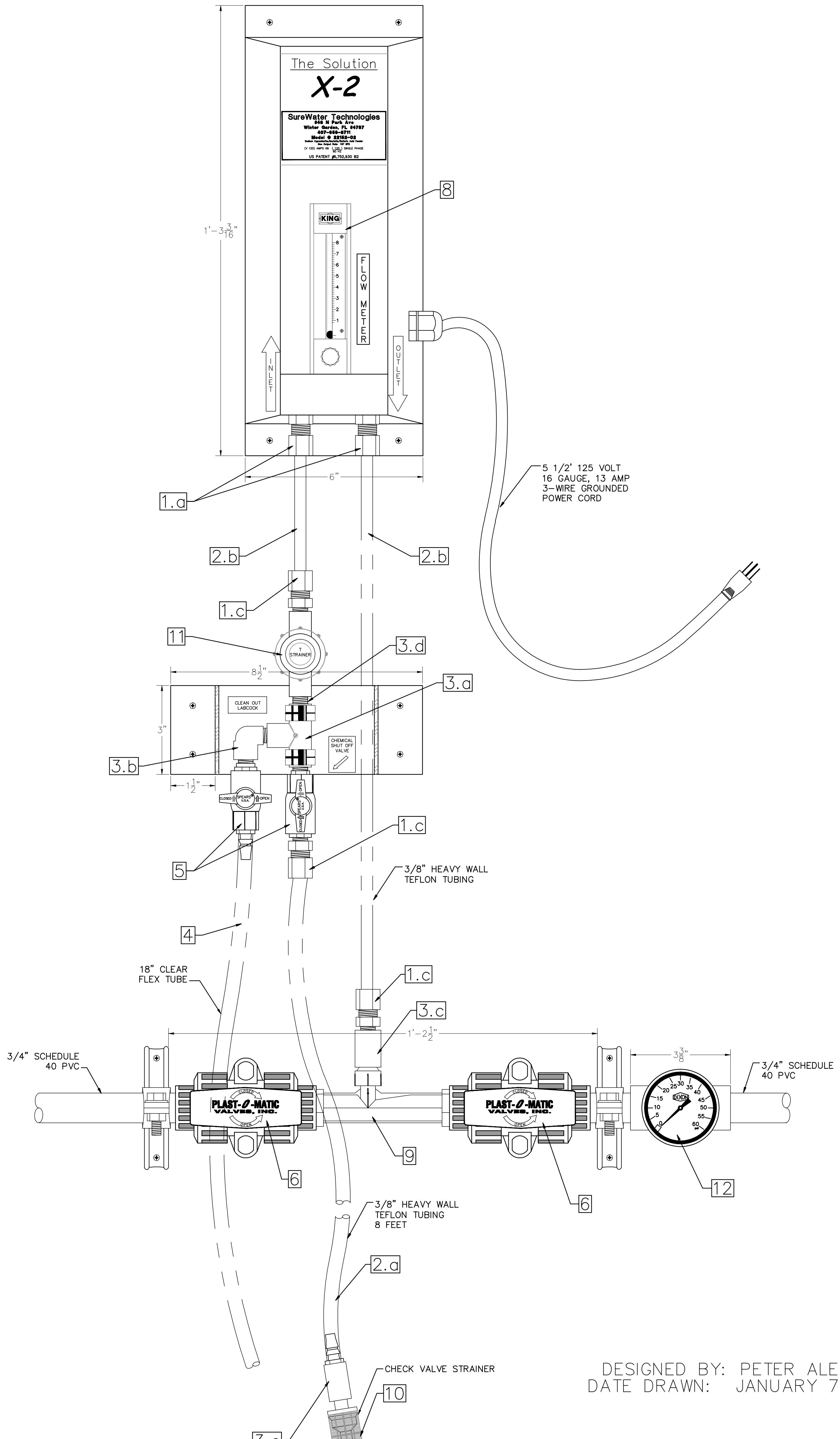


FRONT VIEW



DESIGNED BY: PETER ALEXANDER  
 DATE DRAWN: JANUARY 7TH, 2005